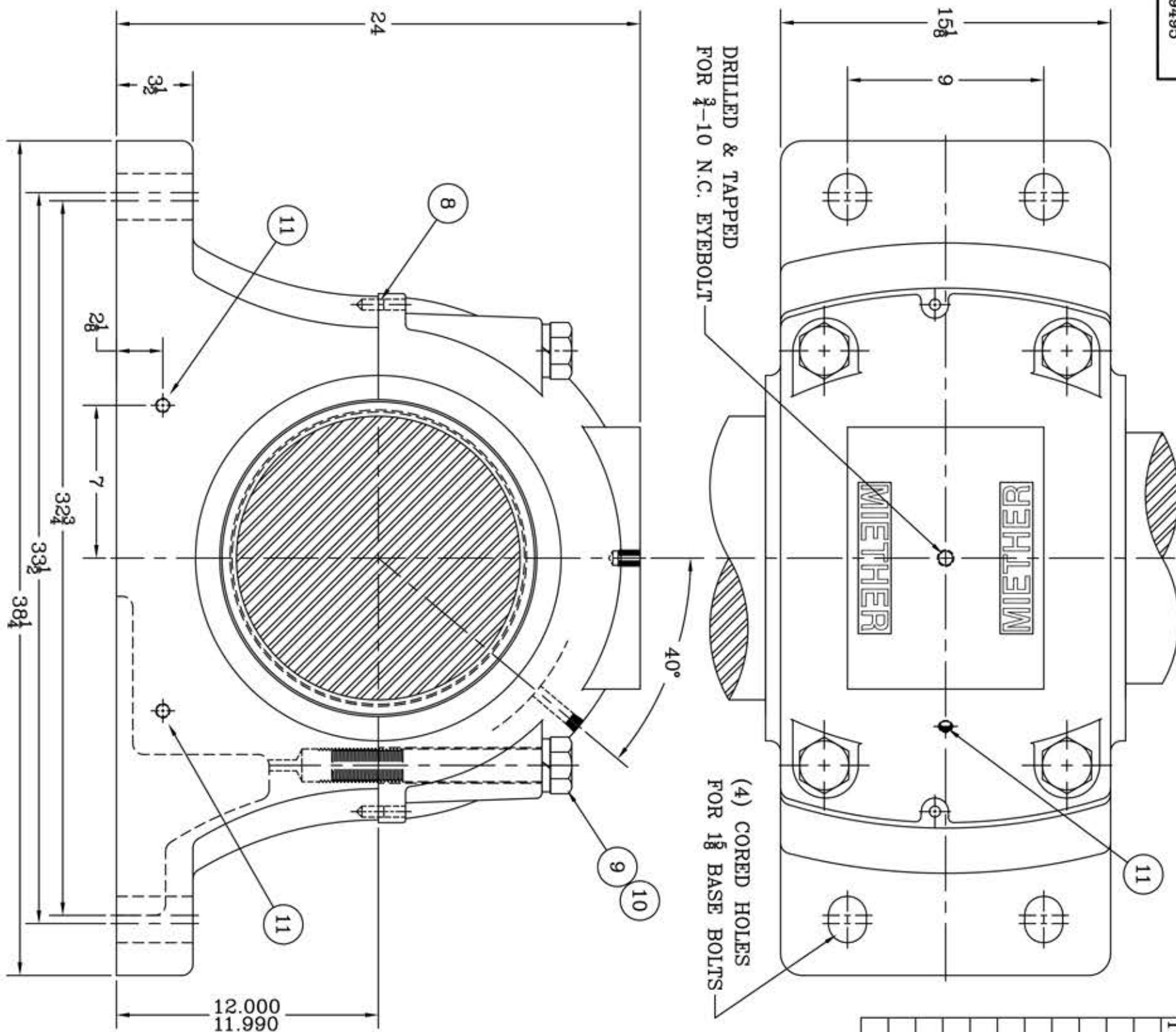
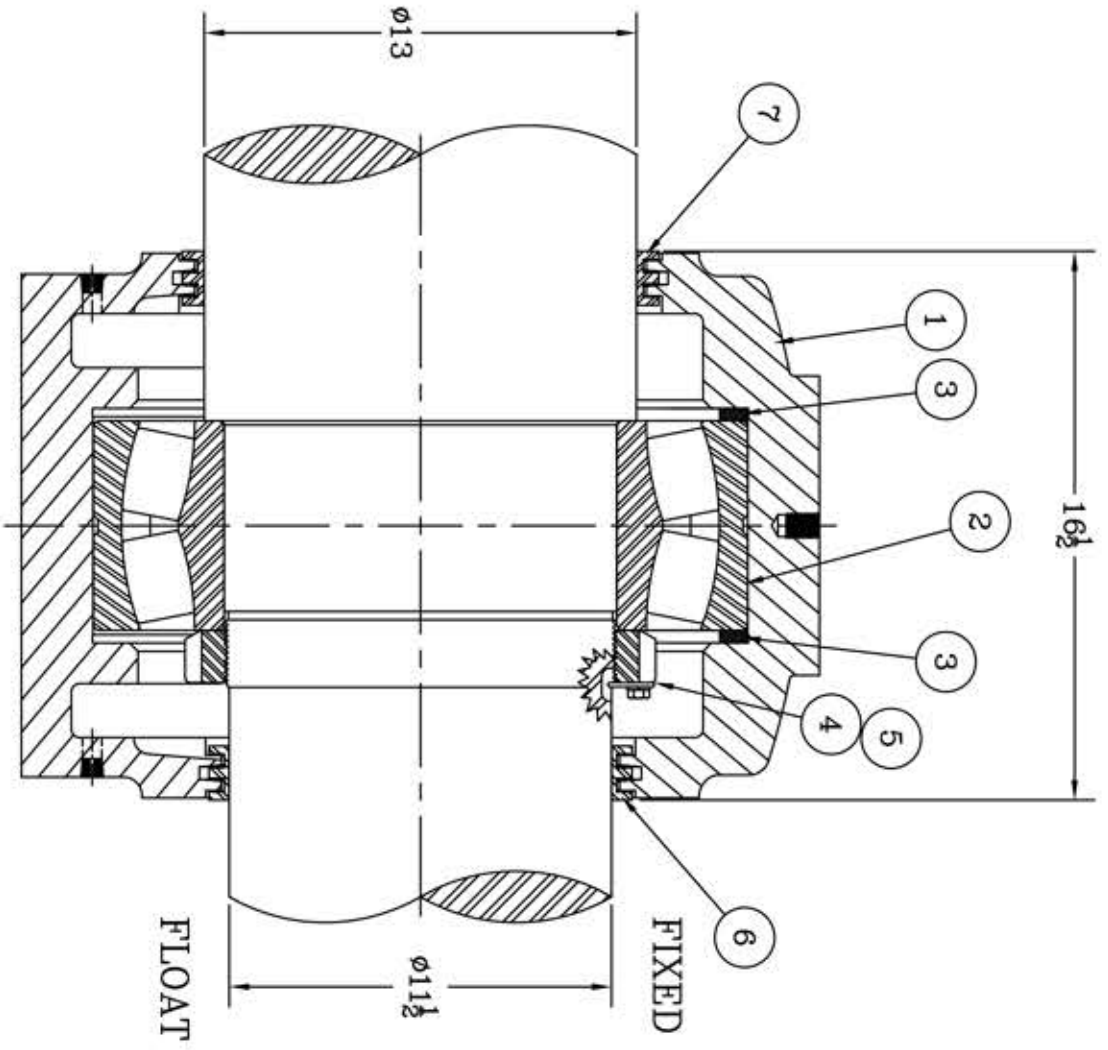


This drawing is the sole property of Miether Bearing Products and contains confidential and proprietary information. It is being provided to you for your use and may not be disclosed to any third party or used for any other purpose without Miether's prior written consent. The [materials] must be returned to the Company upon its demand. Your acceptance of these materials constitutes your acceptance of the foregoing terms.

C-29495



ITEM	DESCRIPTION	DETAIL	REQUIRED
1	HOUSING SDAF 3160	C-20427	1 1
2	SPHERICAL ROLLER BEARING	23160/W33	1 1
3	STABILIZING RING A-8975	A-12809	2 0
4	LOCKNUT N-060	B-10051	1 1
5	LOCKPLATE P-60	A-10155	1 1
6	TRIPLE SEAL RING ER-832	A-11716	1 1
7	TRIPLE SEAL RING ER-824	A-10907	1 1
8	DOWEL	1/2 x 1" LONG	2 2
9	CAP BOLT HEX. HEAD	1 1/2-6 NC x 10" LONG	4 4
10	LOCKWASHER	1 1/2 SPLIT MED.	4 4
11	PIPE PLUG	3/8-18 NPT	5 5



REVISIONS

SYMBOL	DESCRIPTION
C	16
D	32
E	63
F	125
G	250
J	500
K	1000

TOLERANCE: UNLESS OTHERWISE SPECIFIED  
 FRACTIONS +- 1/32" ANGLES +- 0° 30'  
 DECIMALS +- .005" WELD +- 1/16"  
 CASTING +- 1/16"

A.I.S.I. STANDARD FINISHES

SDAF 23160 13-00 x 11-08  
 ASSEMBLY DRAWING  
 SCALE 1 = 4  
 DRAWN RWB  
 DATE 9-15-04  
 CHK:

AN ALCO INDUSTRIES COMPANY  
 BEARING PRODUCTS  
 ODESSA, TX. USA

ASSEMBLY NO.  
 DRAWING NO.  
 C-29495